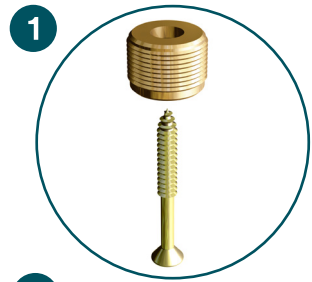
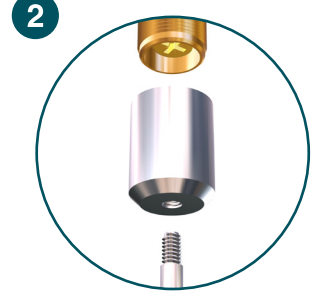


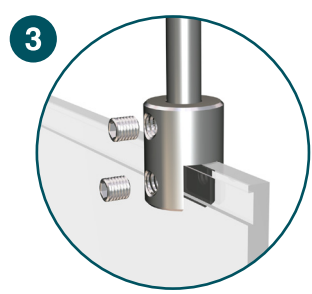
Polycarbonate housing - Steel rod + standard ceiling attachment



1 Using a suitable fixing for the ceiling type, secure the brass holder to the ceiling substrate.



2 Thread ceiling cap over the brass holder concealing the fixture. Thread rod into ceiling cap, suitably tightening in position.

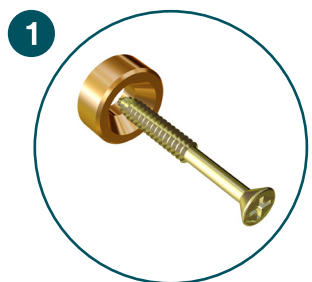


3 Guide rod into panel clamp securing in position with the upper grub screw, clamp the polycarbonate frame by locating and securing the lower grub screw into the rebated channel.

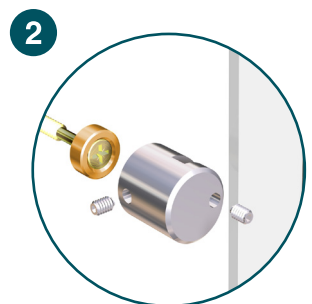


Frame option code: SS1-1-

Polycarbonate housing - Wall mounted



1 Using a suitable fixing for the wall type, secure the brass holder to the wall.



2 Locate the panel clamp over the brass holder, securing in position with the back grub screw. With the panel clamp in place the panel can be positioned then secured with the front grub screw.



Frame option code: SS1-4-